

NEW

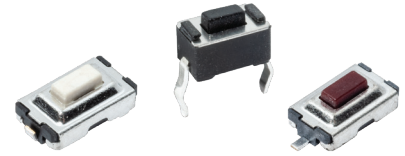
PTS636 Series 6.0 x 3.5 Top Actuated

Features/Benefits

- 6.0 x 3.5 mm footprint
- Multiple heights
- THT or SMT type

Typical Applications

- IoT devices
- Home automation
- Remote controls



Specification

FUNCTION: Momentary action
CONTACT ARRANGEMENT: 1 make contact = SPST, N.O.
TERMINALS: THT, J, G and F type for SMT

Electrical

MAXIMUM VOLTAGE: 12 VDC
MAXIMUM CURRENT DC: 50 mA
DIELECTRIC STRENGTH: 250 VA C (1mn)
CONTACT RESISTANCE: ≤ 100 m Ω
INSULATION RESISTANCE: ≥ 100 M Ω
BOUNCE TIME: ≤ 10 ms

Environmental

OPERATING TEMPERATURE: -40°C to 90°C

Process

SOLDERING: This component is suited to the following methods:
– Infrared Reflow Soldering in accordance with IEC61760-1

Packaging

In bags of 1,000 pcs for THT
In reels of 3,000 pieces for 2.5 mm height
In reels of 1,500 pieces for 4.3 and 5.0 mm height
Dimensions of reels according to EIA 481B
External diameter 330 mm

NOTE: Specifications listed above are for switches with standard options.

For information on specific and custom switches, consult Customer Service Center.

Available part numbers and characteristics

| Description | Height (mm) | Lead Shape | Ground Pin | Force | Travel (mm) | Operating Life | Actuator Color |
|------------------------|-------------|------------|------------|--------------|-------------|----------------|----------------|
| PTS636 SL43 LFS | 4.3 | THT | No | 130gf ± 50gf | 0.25 ± 0.1 | 50,000 | Black |
| PTS636 SM43 LFS | 4.3 | THT | No | 180gf ± 50gf | 0.30 ± 0.1 | 50,000 | Black |
| PTS636 SK43 LFS | 4.3 | THT | No | 250gf ± 50gf | 0.30 ± 0.1 | 30,000 | Black |
| PTS636 SP43 LFS | 4.3 | THT | No | 320gf ± 50gf | 0.30 ± 0.1 | 20,000 | Black |
| PTS636 SL50 LFS | 5.0 | THT | No | 130gf ± 50gf | 0.25 ± 0.1 | 50,000 | Black |
| PTS636 SM50 LFS | 5.0 | THT | No | 180gf ± 50gf | 0.30 ± 0.1 | 50,000 | Black |
| PTS636 SK50 LFS | 5.0 | THT | No | 250gf ± 50gf | 0.30 ± 0.1 | 30,000 | Black |
| PTS636 SP50 LFS | 5.0 | THT | No | 320gf ± 50gf | 0.30 ± 0.1 | 20,000 | Black |
| PTS636 SL43 SMTR LFS | 4.3 | G | No | 130gf ± 50gf | 0.25 ± 0.1 | 50,000 | Black |
| PTS636 SM43 SMTR LFS | 4.3 | G | No | 180gf ± 50gf | 0.30 ± 0.1 | 50,000 | Black |
| PTS636 SK43 SMTR LFS | 4.3 | G | No | 250gf ± 50gf | 0.30 ± 0.1 | 30,000 | Black |
| PTS636 SP43 SMTR LFS | 4.3 | G | No | 320gf ± 50gf | 0.30 ± 0.1 | 20,000 | Black |
| PTS636 SL50 SMTR LFS | 5.0 | G | No | 130gf ± 50gf | 0.25 ± 0.1 | 50,000 | Black |
| PTS636 SM50 SMTR LFS | 5.0 | G | No | 180gf ± 50gf | 0.30 ± 0.1 | 50,000 | Black |
| PTS636 SK50 SMTR LFS | 5.0 | G | No | 250gf ± 50gf | 0.30 ± 0.1 | 30,000 | Black |
| PTS636 SP50 SMTR LFS | 5.0 | G | No | 320gf ± 50gf | 0.30 ± 0.1 | 20,000 | Black |
| PTS636 SM43J SMTR LFS | 4.3 | J | No | 180gf ± 50gf | 0.25 ± 0.1 | 50,000 | Black |
| PTS636 SK43J SMTR LFS | 4.3 | J | No | 250gf ± 50gf | 0.25 ± 0.1 | 30,000 | Red |
| PTS636 SM50J SMTR LFS | 5.0 | J | No | 180gf ± 50gf | 0.25 ± 0.1 | 50,000 | Black |
| PTS636 SK50J SMTR LFS | 5.0 | J | No | 250gf ± 50gf | 0.25 ± 0.1 | 30,000 | Red |
| PTS636 SM25 SMTR LFS | 2.5 | G | No | 180gf ± 30gf | 0.25 ± 0.1 | 70,000 | White |
| PTS636 SK25 SMTR LFS | 2.5 | G | No | 250gf ± 50gf | 0.25 ± 0.1 | 100,000 | Red |
| PTS636 SMG25 SMTR LFS | 2.5 | G | Yes | 180gf ± 30gf | 0.25 ± 0.1 | 70,000 | White |
| PTS636 SKG25 SMTR LFS | 2.5 | G | Yes | 250gf ± 50gf | 0.25 ± 0.1 | 100,000 | Red |
| PTS636 SM25J SMTR LFS | 2.5 | J | No | 180gf ± 30gf | 0.25 ± 0.1 | 70,000 | White |
| PTS636 SK25J SMTR LFS | 2.5 | J | No | 250gf ± 50gf | 0.25 ± 0.1 | 100,000 | Red |
| PTS636 SMG25J SMTR LFS | 2.5 | J | Yes | 180gf ± 30gf | 0.25 ± 0.1 | 70,000 | White |
| PTS636 SKG25J SMTR LFS | 2.5 | J | Yes | 250gf ± 50gf | 0.25 ± 0.1 | 100,000 | Red |
| PTS636 SM25F SMTR LFS | 2.5 | Flat | No | 180gf ± 30gf | 0.25 ± 0.1 | 70,000 | White |
| PTS636 SK25F SMTR LFS | 2.5 | Flat | No | 250gf ± 50gf | 0.25 ± 0.1 | 100,000 | Red |

Dimensions are shown: mm

Specifications and dimensions subject to change

7 Oct 20

B-121

www.ckswitches.com

B

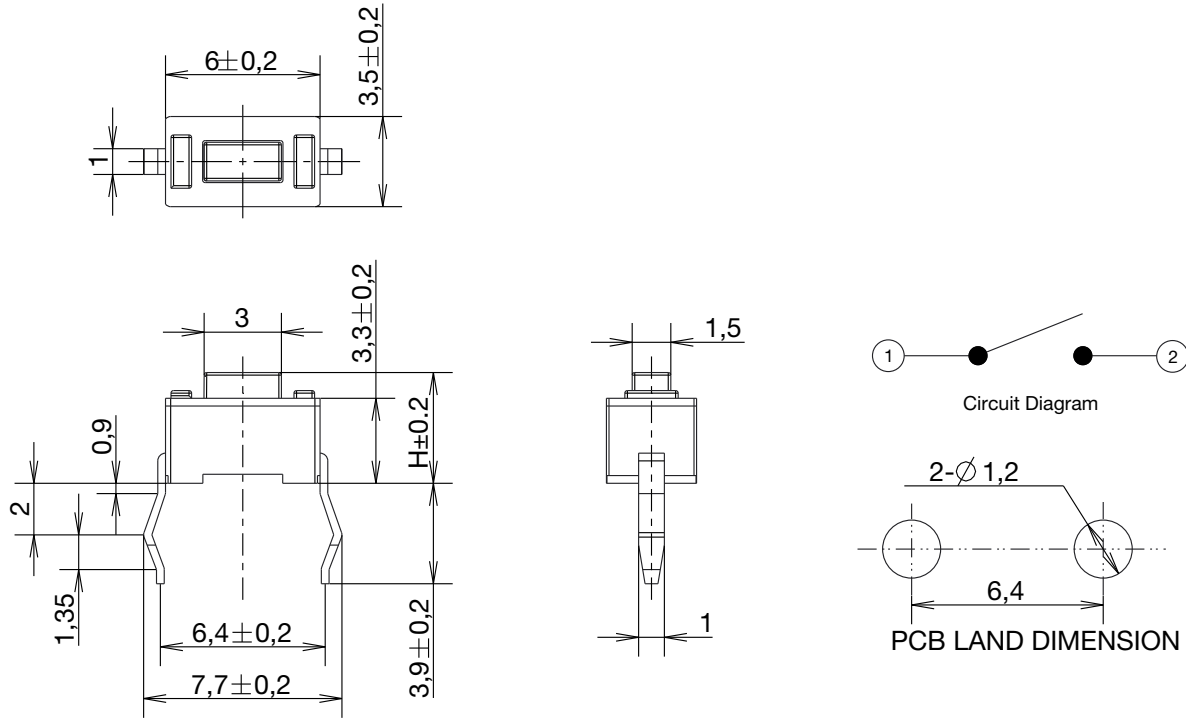
Tactile Switches

PTS636 Series 6.0 x 3.5 Top Actuated

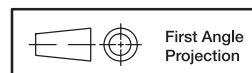
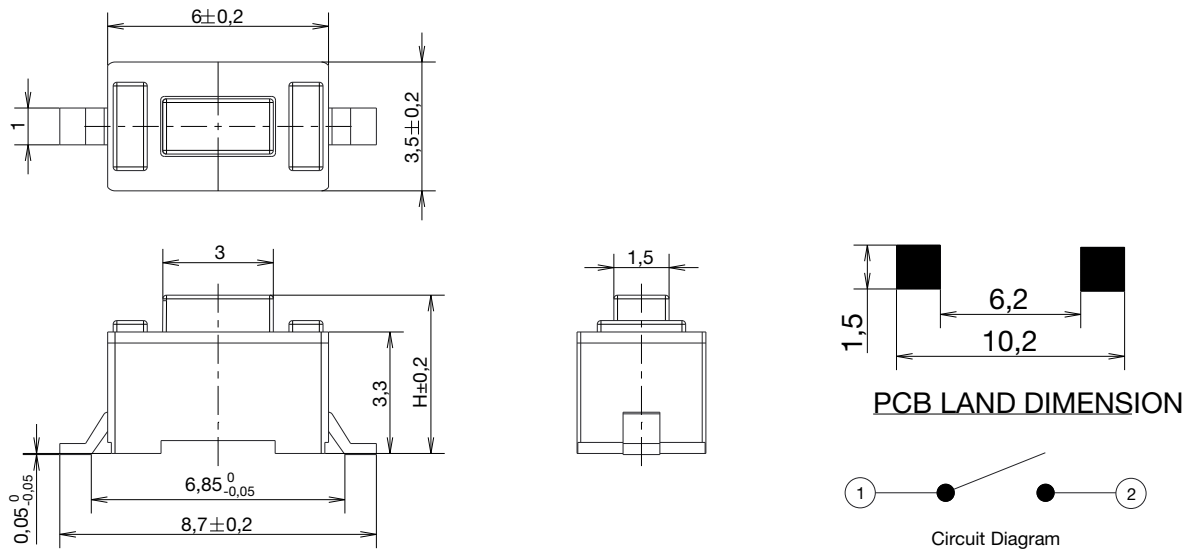
NEW

THT versions (4.3 & 5.0 mm height)

Tactile Switches



SMT G leads (4.3 & 5.0 mm height)

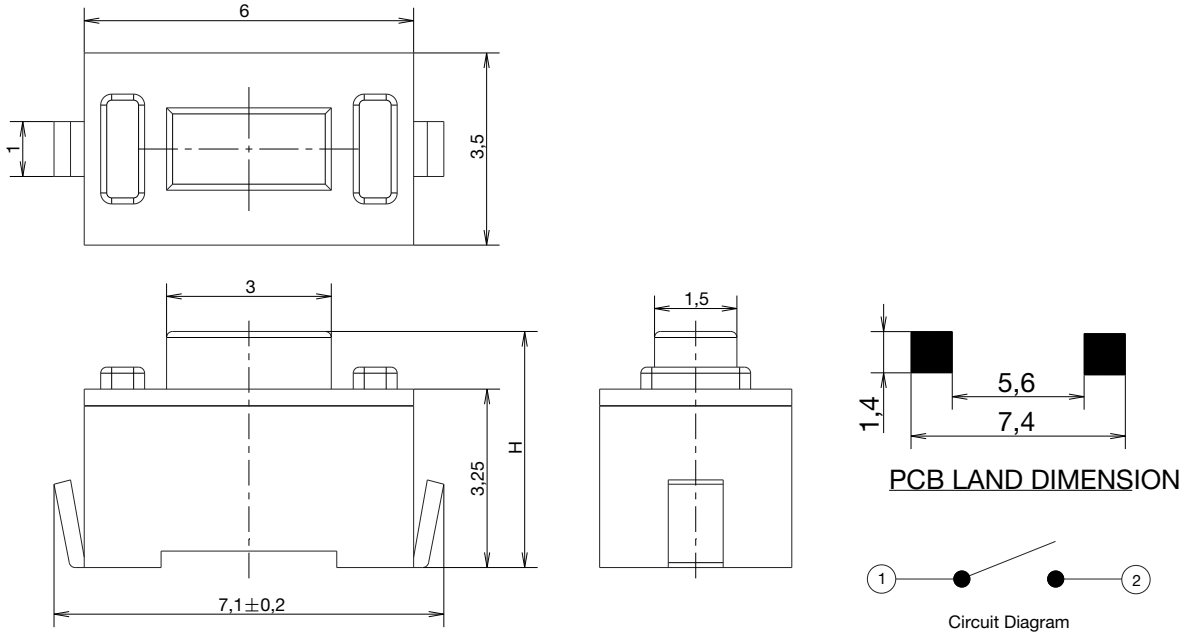


Dimensions are shown: mm
Specifications and dimensions subject to change

NEW

PTS636 Series 6.0 x 3.5 Top Actuated

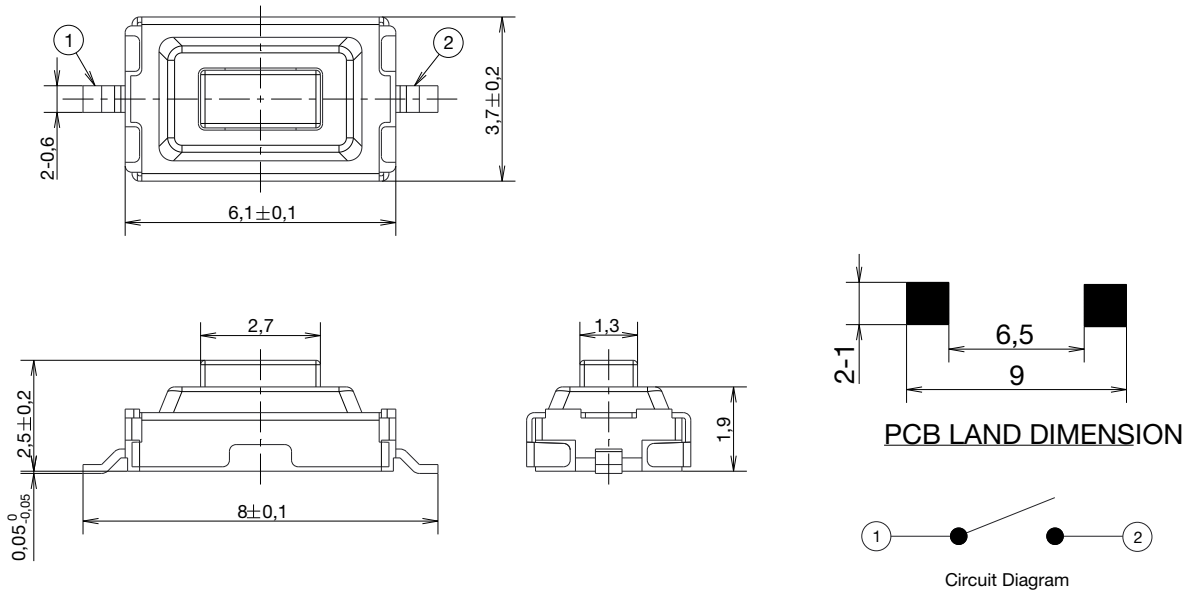
SMT J leads (4.3 & 5.0 mm height)



B

Tactile Switches

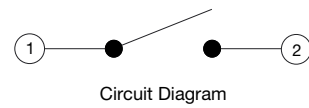
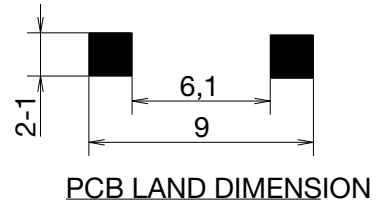
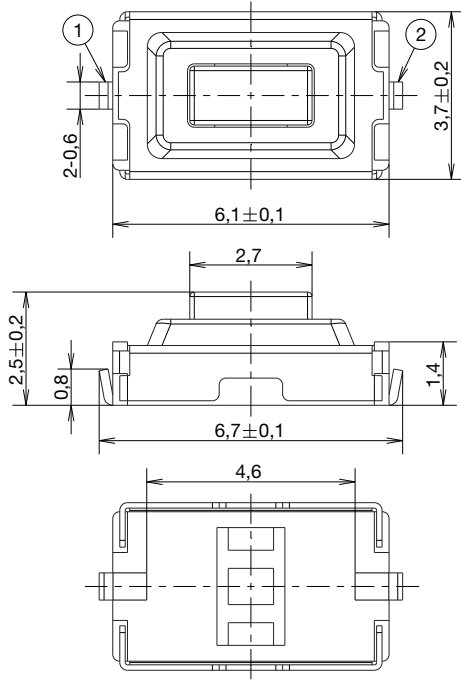
SMT G leads (2.5 mm height)



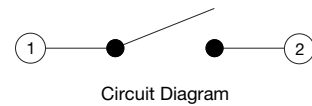
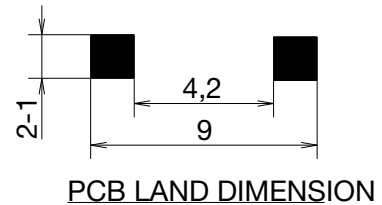
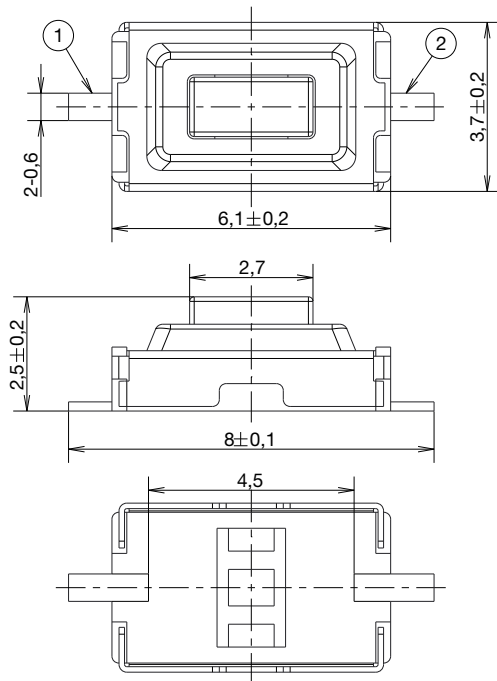
PTS636 Series 6.0 x 3.5 Top Actuated

NEW

SMT J leads (2.5 mm height)



SMT F leads (2.5 mm height)

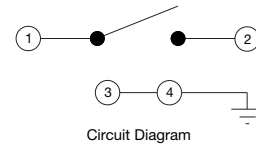
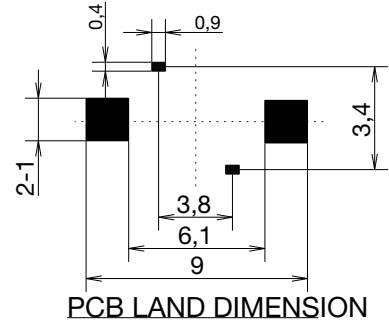
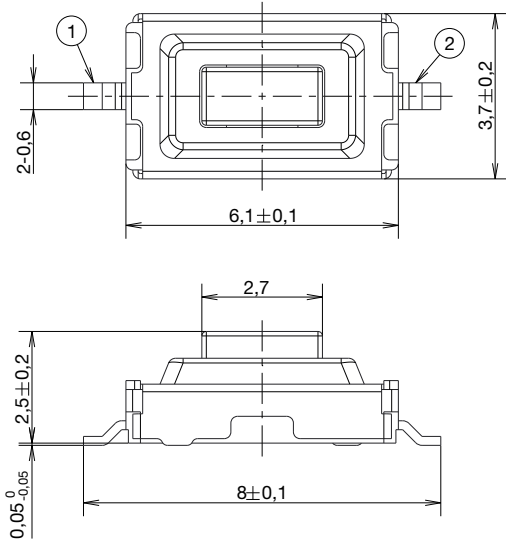


Dimensions are shown: mm
Specifications and dimensions subject to change

NEW

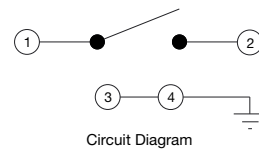
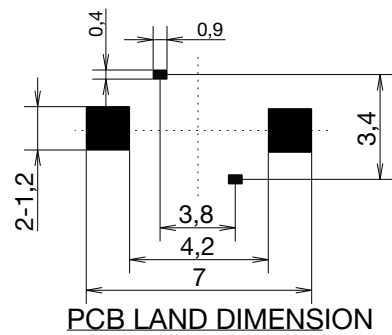
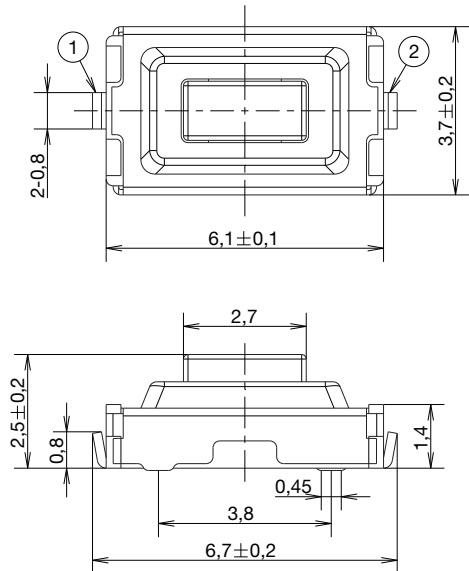
PTS636 Series 6.0 x 3.5 Top Actuated

SMT G leads, with ground pin (2.5 mm height)



B
Tactile Switches

SMT J leads, with ground pin (2.5 mm height)



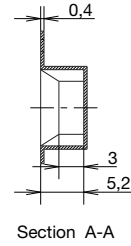
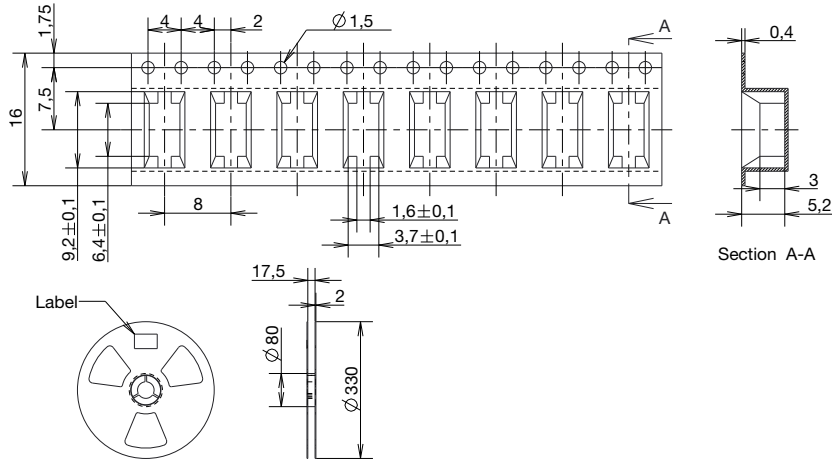
PTS636 Series 6.0 x 3.5 Top Actuated

NEW

PACKAGING

4.3 and 5.0 mm height - G leads

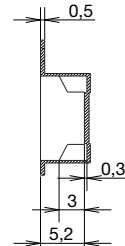
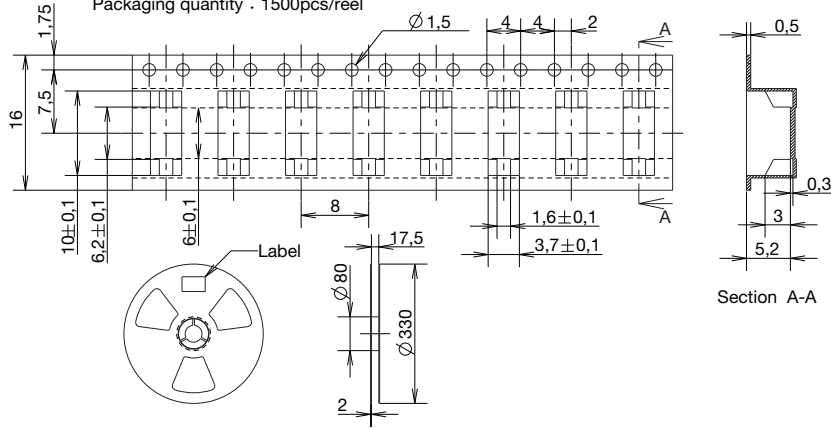
THE DIMENSION OF CARRIER TAPE AND REEL
Packaging quantity : 1500pcs/reel



Section A-A

4.3 and 5.0 mm height - J leads

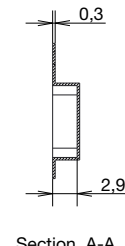
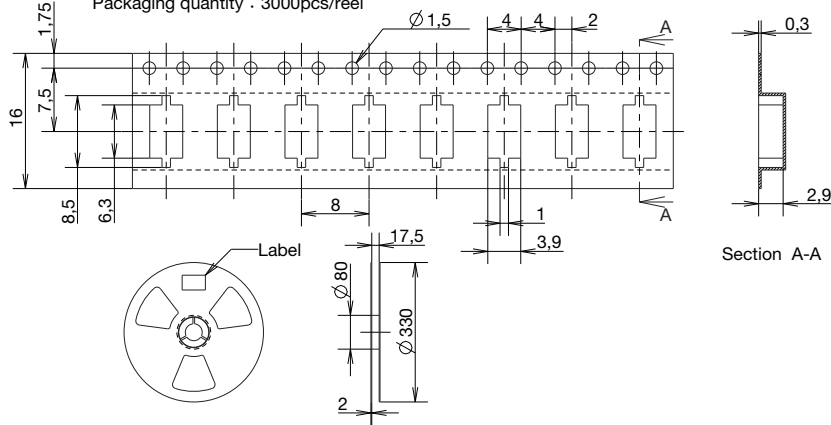
THE DIMENSION OF CARRIER TAPE AND REEL
Packaging quantity : 1500pcs/reel



Section A-A

2.5 mm height

THE DIMENSION OF CARRIER TAPE AND REEL
Packaging quantity : 3000pcs/reel



Section A-A



First Angle
Projection

Dimensions are shown: mm
Specifications and dimensions subject to change